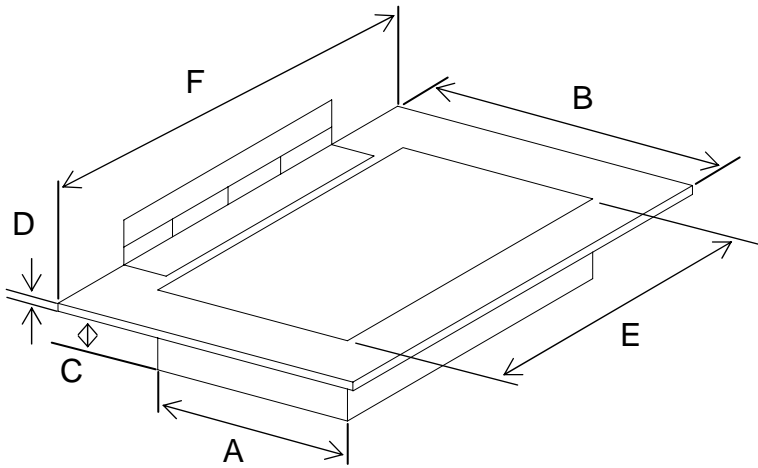


SUPER POWER PLATE MAGNET

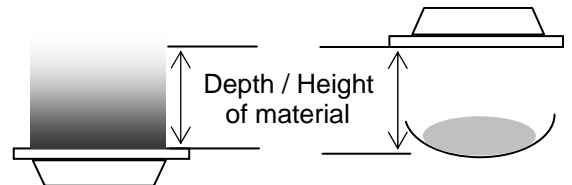
EMNiN Plate Magnet are used to capture or remove very fine iron particles from dry or wet products. It can be installed in chute bottoms or suspended over the product flow. The plate magnet is manufactured with the highest grade of ceramic magnets and it is able to produce in excess of 1800 – 2100 gauss rating. It is completely housed in Stainless Steel (AISI 304) for maximum magnetic operation. It is furnished with a 1” flange around the magnet together with a hinged flange for easy installation, cleaning and maintenance.

FEATURES:

- Rugged all welded construction
- Sturdy stainless steel hinges provide easy access for cleaning
- Wide flanges for easy installation and effective dust control
- Permanent ceramic magnet material
- Available in stainless steel and mild steel construction
- Maximum magnetic separation circuit



Depth of material (material speed up to 60m/min)	Chute bottom	Suspended
Free Flowing, Dry, Loose, Granular	100mm	50mm
Moist. , Fibrous	70mm	45mm
Dense, Wet, Viscous, Liquid	60mm	35mm



TYPE	DIMENSIONS											
	A		B		C		D		E		F	
	mm	in	mm	in	mm	in	mm	In	mm	in	mm	in
EPM4X7	178	7	216	8.5	50	2	2	0.08	100	4	140	5.5
EPM6X7	178	7	216	8.5	50	2	2	0.08	150	6	190	7.5
EPM8X7	178	7	216	8.5	50	2	2	0.08	200	8	240	9.4
EPM10X7	178	7	216	8.5	50	2	2	0.08	250	10	290	11.4
EPM12X7	178	7	216	8.5	50	2	2	0.08	300	12	340	13.4
EPM14X7	178	7	216	8.5	50	2	2	0.08	350	14	390	15.4
EPM16X7	178	7	216	8.5	50	2	2	0.08	400	16	440	17.3
EPM18X7	178	7	216	8.5	50	2	2	0.08	450	18	490	19.3
EPM20X7	178	7	216	8.5	50	2	2	0.08	500	20	540	21.3
EPM24X7	178	7	216	8.5	50	2	2	0.08	600	24	640	25.2

* Dimension not stated above is deliverable on request.

* Rare earth material with 4000-5000 gauss rating or above is available upon request.

Superpower Magnet

Most commonly used type which is designed in such a way to remove tramp metals from various applications ranging from light to heavy duty. The magnet will create a powerful magnetic field that will cover about 2-3 inches (50-75mm) into the product burden or up to 100mm (for certain products).

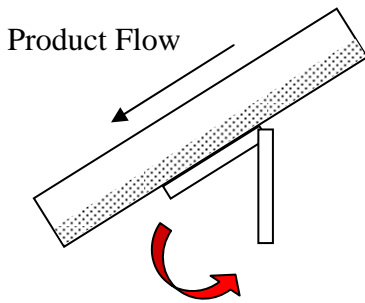
APPLICATION GUIDELINES

TO REMOVE	FINE FERROUS CONTAMINATION. Small pins, screws, wires, washers. (less than 5mm dia. In size)	SMALL TRAMP IRON. Screws, bolts, nuts, large pins/rivets. (between 5mm dia. – 15mm dia.)	MEDIUM AND LARGE TRAMP IRON. Large tools, screwdrivers, bolts, nuts, washers, knife, pliers.
CHOOSE	RARE EARTH	RARE EARTH / SUPERPOWER	SUPERPOWER

Typical plate magnets are installed must follow the below specs to achieve good results.

- a) Free flowing products cascading down a sloped chute.
- b) Installation near to chute entrance (as the product will have slower speed).
- c) Regular maintenance and cleaning of plate magnet surface.
- d) Selection above is suited for thin burdens (up to 4 inches/100mm) and slow product flows.

TYPICAL INSTALLATION

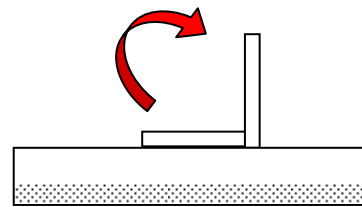


Open for servicing

SLOPED CHUTE



Open for servicing



Product Flow

SUSPENDED MAGNET

